

The RM9150 and the Fast Device Bus High Speed Interconnect

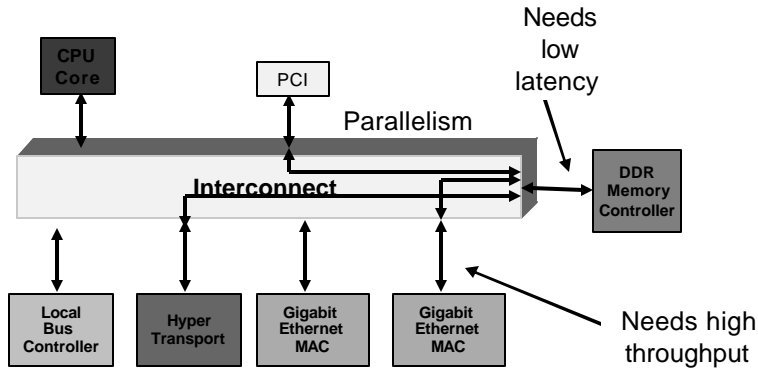
John R. Kinsel

Principal Engineer
www.pmc-sierra.com

Agenda

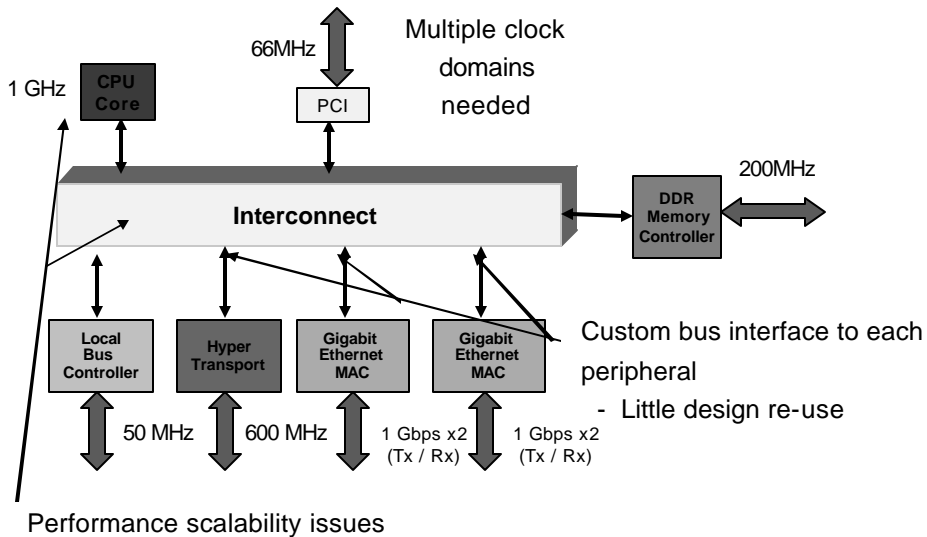
- CPU-based SOC Design Challenges
- Fast Device Bus (FDB) Overview
- Generic Device Interface
- FDB Block Diagram
- Architectural Advantages
- Summary

Typical CPU-based SOC Building Blocks

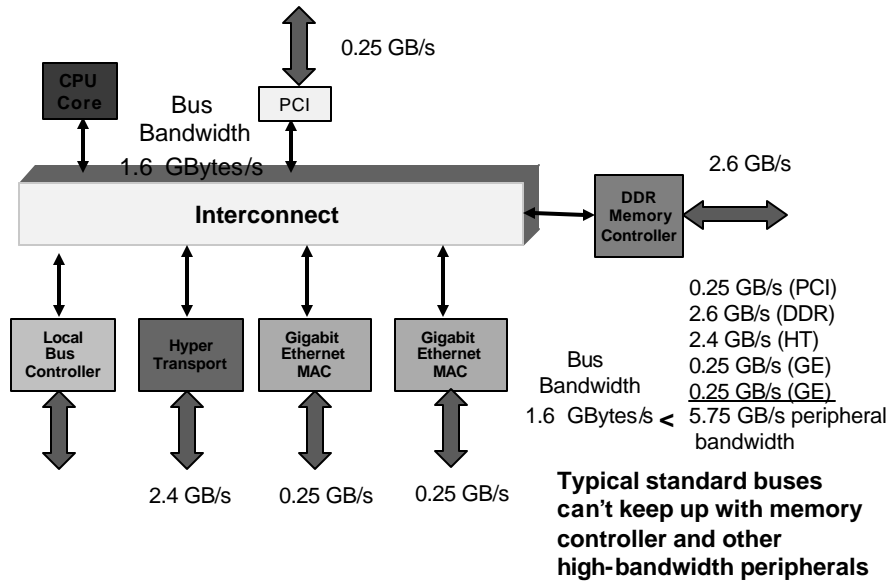


- System bus architecture is becoming increasingly important
- CPU frequency increase must be matched by bus and memory speeds

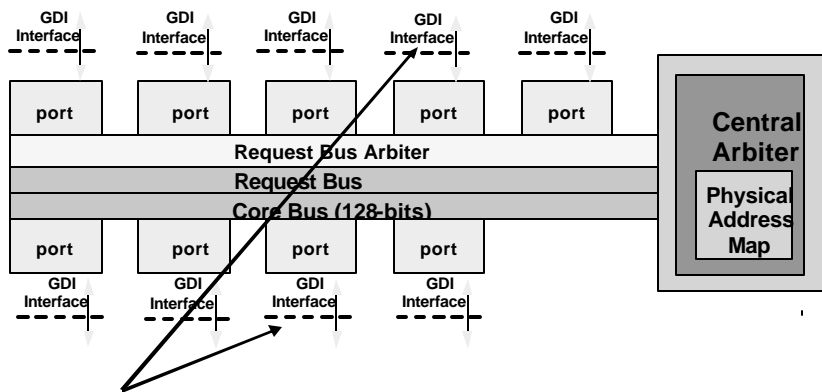
SoC Design Issues



Typical Bandwidth of Various Blocks

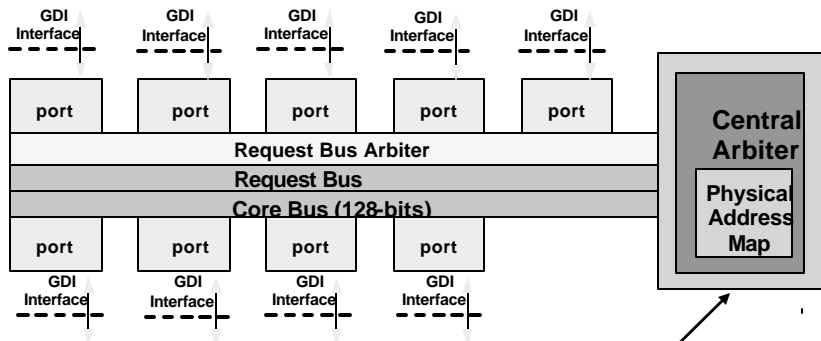


Fast Device Bus / Generic Device Interface



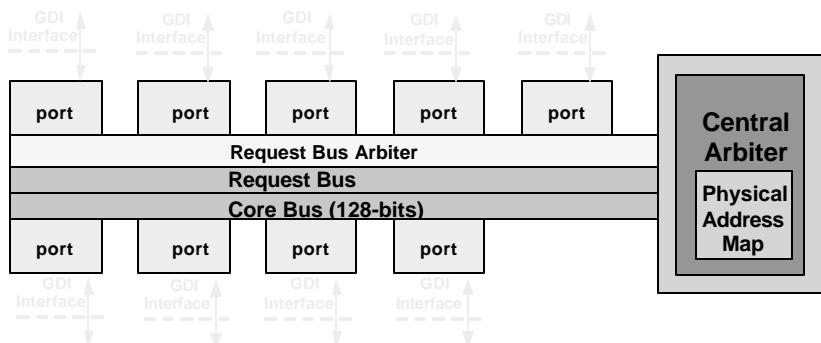
- Common design interface for all peripherals
- GDI interface specification available to PMC customers

Fast Device Bus Features



- Central arbitration logic and physical address map
- Modular design, ports can be easily added and subtracted (2-12)

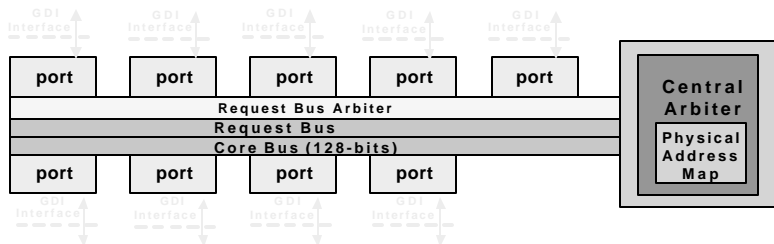
Fast Device Bus Features (cont.)



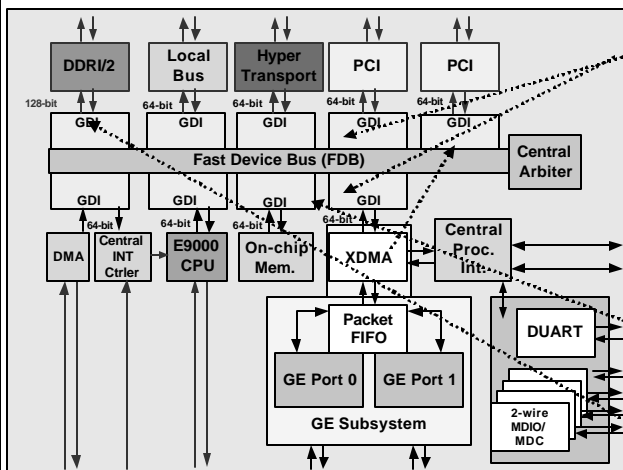
- 128-bits, multiplexed address and data
- Separate grant signal, addr./data grant per port
- 400 MHz – 500 MHz multiple master, shared on-chip bus
- 3-bit credit release bus, one per port connected from each port to the central arbiter

Central Arbiter Operation / Advantages

- Employs a two-stage arbiter
 - Request Bus Arbiter: Round robin priority
 - Second stage: Choose next owner of A/D bus based on request priority / target transaction resource availability
 - Both arbiters are pipelined, selecting a new owner every cycle
- The Central Arbiter is for efficient scheduling of main bus usage
 - Main bus is never granted unless the target can accept the transaction, therefore no “not acknowledges” and no “retries”
- The Central Arbiter guarantees fair access to high-contention targets



First Device Based on the FDB: RM9150



- Each port contains a fixed number of buffers to accept a fixed number of transactions
- Number of buffers optimized to meet each device's specific performance requirements
- Built-in re-synchronization logic to support different frequency modes
 - Asynchronous
 - Semi-synchronous
 - Full synchronous
- 128-bit GDI to FDB interface for DDR1/2 memory controller for optimum bandwidth

FDB/GDI Methodology Greatly Reduces Verification Effort

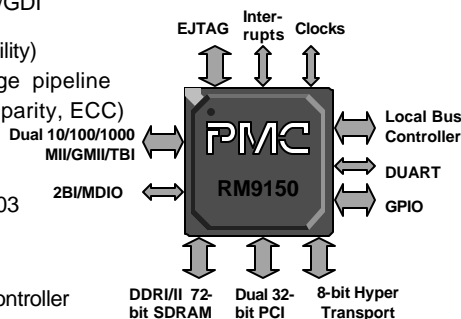


- Only need to design new Intellectual Property (IP) blocks with GDI interface (or modify existing IP to support GDI)
- Once this IP with GDI interface has been verified, then this ensures that the IP block can communicate with the FDB and all devices connected through GDI to the FDB
- Without GDI / FDB, would need to design a custom interface to each IP block and verify that it can communicate with the system interconnect (for each peripheral device in the SOC)
- **Solves an order (n^2) verification problem by reducing it to an order (n) effort**

RM9150 Feature Summary



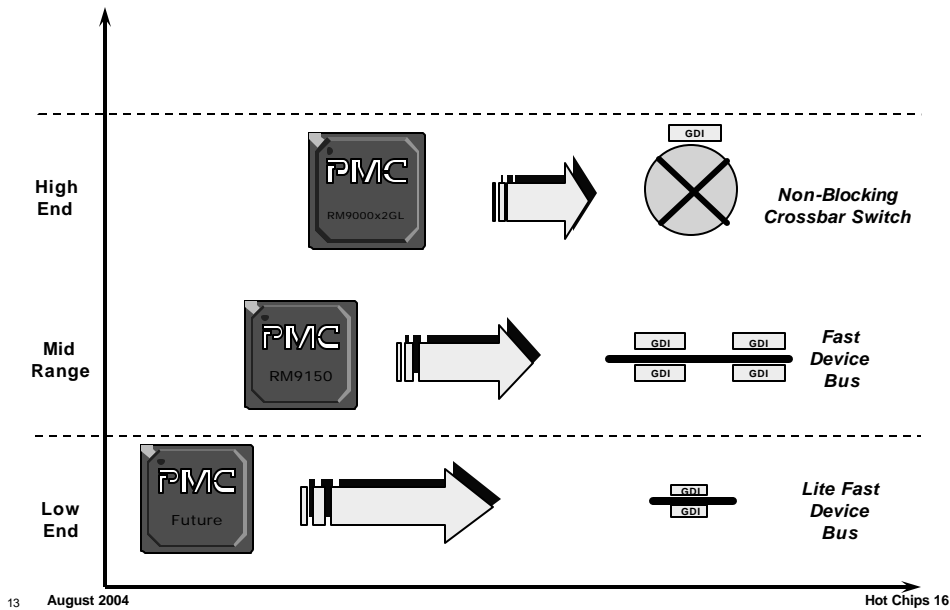
- First PMC-Sierra SOC to implement the FDB/GDI
- E9000 processor (<500 MHz to 1GHz capability)
 - 64-bit, dual-issue, superscalar, 7-stage pipeline
 - 16KB L1 caches / 256KB L2 cache (parity, ECC)
- FDB Trace and Performance Monitor
- 8-bit 600 MHz DDR HyperTransport Bus v1.03
- Two 32-bit PCI buses, 66 MHz, v2.3
- 167MHz/ 200 MHz 64-bit DDRI/II SDRAM Controller
 - Up to 4GB of memory
- Two 10/100/1000 Ethernet MACs (802.3), TBI, GMII, MII
- 4-channel DMA controller
- Local Bus controller to external ROM, Flash, Compact Flash, PCMCIA, USB 2.0 devices
- Serial Communications Master Block
 - UART, 2-wire interfaces, MDIO/MDC, 64 GPIO



**896 BGA package
0.13um TSMC process**

PMC's Solution: New Design Methodology

- Performance flexibility & quick-turn SOC designs



Fast Device Bus / Generic Device Interface Architectural Advantages



- GDI allows each peripheral to interface to FDB fully synchronously, semi-synchronously, or totally asynchronously, essentially eliminating global clocking issues
- Standard GDI interface allows development of re-usable IP blocks, ability to use different future bus interconnects
- GDI allows replacement of the interconnect behind it without re-designing the peripheral devices -> scalability
- Allows customers to integrate their IP or leverage PMC's IP to quickly design complex SOC's at various price/performance points
- Greatly reduces device verification effort (factor of n) for fast time-to-market

Summary



- Innovative Fast Device Bus / GDI bus architecture
 - Tuned for optimal performance (latency, bandwidth to critical peripherals)
 - High utilization due to efficient arbitration
 - Enables easy design re-use (common GDI interface)
- E9000 CPU and robust set of RM9150 peripherals address multiple market segments
 - Networking, Storage, Industrial Control, and High-end Printer and Consumer
- First instance of PMC's platform-based high-performance, highly integrated SOCs using the FDB



Thinking You Can Build On

www.pmc-sierra.com